

Current relay AR12DX-230V

1 CO contact potential free 16A/250V AC.
Standby loss 0.8 watt only.

Modular device for DIN-EN 60715 TH35 rail mounting.

1 module = 18mm wide, 58 mm deep.

With the Eltako-Duplex technology (DX) the normally potential-free contacts can still switch in zero passage when switching 230V AC 50Hz and therefore drastically reduce wear. Simply connect the neutral conductor to the terminal (N) and L to 1 (L) for this. This gives an additional standby consumption of only 0.1 Watt.

If the contact is used for controlling switching devices which do not perform zero passage switching themselves, (N) should not be connected because the additional closing delay otherwise causes the opposite effect.

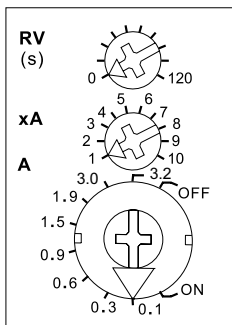
With an internal toroidal-core current transformer the single phase AC current flowing through a consumer V1 of 0.1A up to max. 32A is compared to the setpoint. When the latter is exceeded a relay switches off a consumer V2 connected to 2 within 0.5 seconds or switches on a consumer V3 connected to 3.

Adjustment accuracy $\pm 5\%$.

From 25A the relay always switches on.

State-of-the-art hybrid technology combines advantages of nonwearing electronic control with high capacity of special relays.

Function rotary switches



The basis of current **A** will be set with the lower rotary switch **A**. The following basic values can be selected: 0.1A, 0.3A, 0.6A, 0.9A, 1.5A, 1.9A, 3.0A and 3.2A.

The multiplier **xA** will be set with the middle latching rotary switch **xA** and offers values between 1 and 10. So currents starting from 0.1A (basis of current 0.1A and multiplier 1) can be set.

OFF delay RV can be set with the upper latching rotary switch **RV** between 0 and 120 secs.

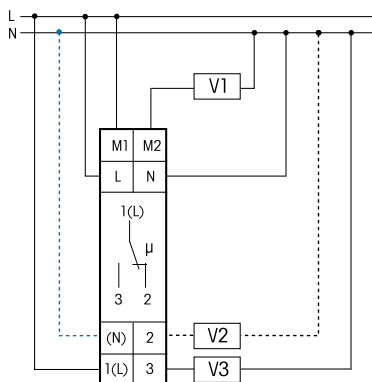
The hysteresis is defined as approx. 25%.

Status indication by LED.

The measuring input M1-M2 is electrically isolated from power supply L-N and make contact 1 (L)-2/3.

Reference values larger than 32A can be adapted by an external measuring transformer.

Typical connection



If (N) is connected, the zero passage switching is active.

Technical data

Supply voltage	230V
Rated switching capacity	16A/250V AC
Incandescent lamp load and halogen lamp load ¹⁾	2300 W 230V
Contact material	AgSnO ₂
Contact gap	0.5 mm
Standby loss (activ power)	0.8 W

¹⁾ For lamps with 150W max.



The strain relief clamps of the terminals must be closed, that means the screws must be tightened for testing the function of the device. The terminals are open ex works.

Important reminder!

This electrical equipment may only be installed by skilled electricians otherwise fire hazard or danger of electric shock exists!