

Actuator

DCM12-UC DC Motor Relay



Only skilled electricians may install this electrical equipment otherwise there is the risk of fire or electric shock!

Temperature at mounting location:

-20°C up to +50°C.

Storage temperature: -25°C up to +70°C.

Relative humidity:

annual average value <75%.

2 NO not potential free contacts

24 V DC/90 Watt, for one 24 V DC motor.

Standby loss 0.07 watt only.

Modular device for DIN-EN 60715 TH35 rail mounting.

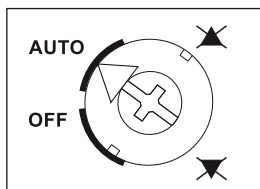
1 module = 18 mm wide, 58 mm deep.

Universal control voltage 8...230V UC.

24 V DC supply voltage.

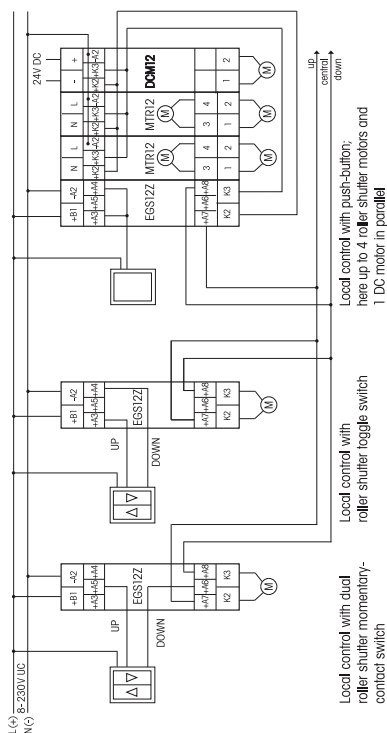
The DCM12 can be operated in parallel, but they require unassigned contact outputs K2/K3 of the controlling EGS12Z. These have to be connected to terminals K2/K3 of the DCM12.

Rotary switch



The functions 'UP' and 'DOWN' may be blocked or switched off entirely by a rotary switch. This block applies only to the 1 connected motor. Therefore single shading elements or roller shutters can be completely or partially excepted from the automatic function of an overall control.

Typical connection



Technical Data

Contact	OptoMOS
Rated switching capacity	24 V DC/90 W
Switch position indication	LED
Temperature at mounting location	+50°C/-20°C
Standby loss (activ power)	0.07 W



The strain relief clamps of the terminals must be closed, that means the screws must be tightened for testing the function of the device. The terminals are open ex works.

Must be kept for later use!

We recommend the housing for operating instructions GBA12.

Eltako GmbH

D-70736 Fellbach

+49 711 94350000

www.eltako.com