

Actuator

DCM12 - 8..230V UC

DC Motor Relay



2 NO not potential free contacts
 24V DC/90Watt, for one 24V DC motor.
 Standby loss 0.07 watt only.

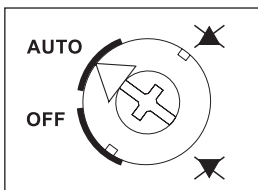
Modular device for DIN-EN 60715 TH35
 rail mounting.

1 module = 18 mm wide, 58 mm deep.

Universal control voltage 8..230V UC.
 24V DC supply voltage.

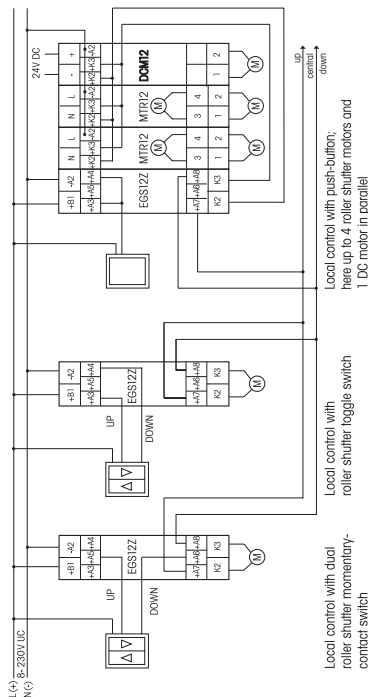
The DCM12 can be operated in parallel,
 but they require unassigned contact
 outputs K2/K3 of the controlling EGS12Z.
 These have to be connected to terminals
 K2/K3 of the DCM12.

Rotary switch



The functions 'UP' and 'DOWN' may be
 blocked or switched off entirely by a
 rotary switch. This block applies only to
 the 1 connected motor. Therefore single
 shading elements or roller shutters can
 be completely or partially excepted from
 the automatic function of an overall control.

Typical connection



Technical Data

Contact	OptoMOS
Rated switching capacity	24V DC/90W
Switch position indication	LED
Temperature at mounting location	+50°C/-20°C
Standby loss (activ power)	0.07 W



The strain relief clamps of the terminals must be closed, that means the screws must be tightened for testing the function of the device. The terminals are open ex works.

Warning

Only a trained electrician may install this equipment, otherwise there is a risk of fire or electric shock.