

Motor isolating relay  
MTR12-UC



**Only skilled electricians may install this electrical equipment otherwise there is the risk of fire or electric shock!**

Temperature at mounting location:  
-20°C up to +50°C.  
Storage temperature: -25°C up to +70°C.  
Relative humidity:  
annual average value <75%.

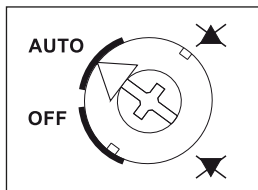
2+2 NO contacts not potential free  
5A/250V AC for one or two 230V  
motors. Standby loss 0.5 watt only.  
Modular device for DIN-EN 60715 TH35  
rail mounting.  
1 module = 18mm wide, 58mm deep.  
Universal control voltage 8..230V UC.  
230V supply voltage.

The tube-mounted motors of shading  
elements and roller shutters must not be  
connected in parallel, or reverse volta-  
ges will occur through the limit swit-  
ches, ultimately causing failure of the  
motors.

For one motor and if the control voltage  
and the motor voltage are 230V, one  
EGS12Z is adequate. Where more than  
one motor is controlled by an EGS12Z or  
in case the control voltage is different,  
one MTR12 must be connected to two  
motors. It must be remembered that the  
MTR12 devices, while they can be ope-  
rated in parallel, require unassigned  
contact outputs K2/K3 of the controlling  
EGS12Z. These have to be connected to  
terminals K2/K3 of the MTR12.

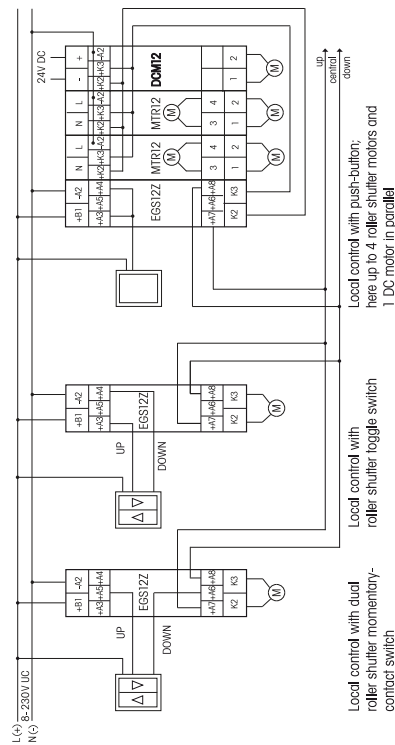
1/2 = Motor 1, 3/4 = Motor 2.

## Function rotary switch



The functions UP and DOWN may be  
blocked or switched off entirely by a  
rotary switch. This block applies only to  
the max. 2 connected motors. Therefore  
single shading elements or roller shutters  
can be completely or partially excepted  
from the automatic function of an over-  
all control.

## Typical connection



## Technical Data

|                                     |                            |
|-------------------------------------|----------------------------|
| Contact                             | AgSnO <sub>2</sub> /0.5 mm |
| Rated switching<br>capacity         | 5A/250V AC                 |
| Inductive load                      | 650 W <sup>1)</sup>        |
| Switch position indication          | LED                        |
| Temperature at<br>mounting location | +50°C/-20°C                |

<sup>1)</sup> Inductive load  $\cos \varphi = 0.6$  as sum of both  
contacts 1000 W max.



The strain relief clamps of the  
terminals must be closed, that  
means the screws must be tigh-  
tened for testing the function of  
the device. The terminals are  
open ex works.

## Must be kept for later use!

We recommend the housing for operating  
instructions GBA12.

## Eltako GmbH

D-70736 Fellbach

+49 711 94350000

www.eltako.com

08/2013 Subject to change without notice.