

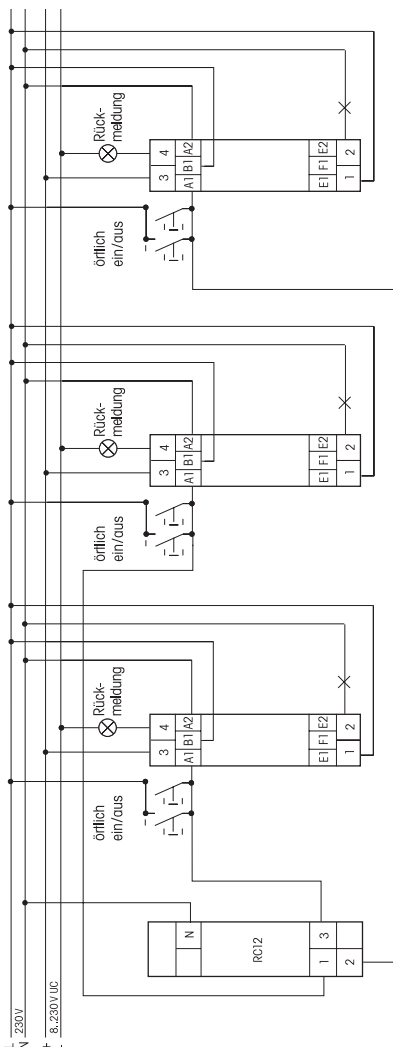
Triple RC module  
RC12-230V

Modular device for DIN-EN 60715 TH35 rail mounting.

1 module = 18 mm wide, 55 mm deep.

Used to compensate for inductive interference voltages on control leads. Up to three switch-gear devices can be interference-suppressed by connection in parallel with the 230V control inputs.

## Typical connection

**Warning!**

Only a trained electrician may install this equipment, otherwise there is a risk of fire or electric shock.