



1-10V control dimmer switch
SDS61/1-10V for
electronic ballast units

Only skilled electricians may install this electrical equipment otherwise there is the risk of fire or electric shock!

Temperature at mounting location:
-20°C up to +50°C.
Storage temperature: -25°C up to +70°C.
Relative humidity:
annual average value <75%.

valid for devices from production week 13/15 (see bottom side of housing)

1 NO contact not potential free 600VA and 1-10V control output 40mA. Only 1 watt standby loss. With adjustable dimming speed. With switching operation for children's rooms and snooze function. With pushbutton or switch activation. Built-in device for installation. 45 mm long, 55 mm wide, 33 mm deep.

Zero passage switching with soft ON and soft OFF to protect lamps.

Also adapted for LED driver with 1-10V passive interface, without voltage source up to 0.6mA, above this value an additional voltage source is necessary.

Switching voltage and control voltage 230V.

State-of-the-art hybrid technology combines advantages of nonwearing electronic control with high switching capacity of special relays.

The load is switched on and off by a bistable relay at output EVG (electronic ballast units). Switching capacity for fluorescent lamps or LV halogen lamps with electronic ballast units 600VA.

By using a bistable relay coil power loss and heating is avoided even in the on mode.

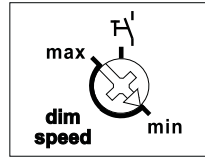
After installation, wait for short automatic synchronisation before the switched

consumer is connected to the mains. Short-time control commands switch on/off, permanent control varies the brightness up to the maximum level. An interruption of control changes the direction of dimming.

The brightness level is stored after switching off.

In case of a power failure the switching position and the brightness level are stored. If applicable the dimmer will be switched on at the stored brightness level after the supply voltage is recovered.

Function rotary switch



The dimming speed is adjustable **using the dimming speed rotary switch (only for pushbutton activation).**

If light switches cannot be replaced by light pushbuttons, the rotary switch can be set to the switch symbol at the right stop:

When the closed switch is briefly opened, the light is dimmed until the switch is briefly opened again. The dimming direction is changed automatically at each of the two vertices. In addition the direction can be changed by opening the switch briefly twice.

Switching operation for children's rooms (only for pushbutton activation):

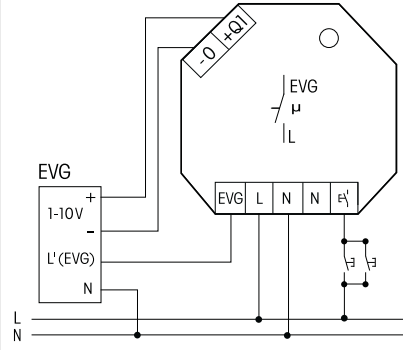
If the light is switched on by holding down the pushbutton, it starts at the lowest brightness level after approx. 1 second and dims up slowly as long as the pushbutton is held down without modifying the last stored brightness level.

Snooze function (only for pushbutton activation):

With a double impulse the lighting is dimmed down from the current dimming position to the minimum brightness level and switched off. The current dimming position as well as the adjustable minimum brightness level determine the dimming time (max. = 60 minutes) which can be reduced as required. It can be switched off at any time by short-time control commands during the lighting is dimmed down. Holding down

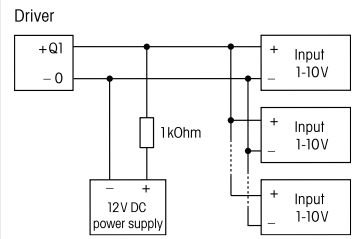
the pushbutton during the dimming down process dims up and stops the snooze function.

Typical connection



For the control from several LED drivers with 1-10V passive interface, an additional voltage source is necessary, this can be the power supply unit SNT12-230V/12V DC-0.5A or SNT61-230V/12V DC-0.5A, in both cases a 1kOhm resistor is necessary.

Example of connecting with an additional voltage source



Must be kept for later use!

Eltako GmbH
D-70736 Fellbach
☎ +49 711 94350000
www.eltako.com